



# Foundation Drilling Tools

CONSTRUCTION



TRENCHING | ROAD REHABILITATION | DRILLING

# SOLID

**Innovation Quality Service Value Application Expertise**

The foundation for a successful drilling operation is built on rock-steady reliability and progress. Kennametal, the world's leading tooling and services provider, proudly introduces SOLID, our solution-focused platform that yields new levels of performance and productivity. SOLID-engineered tools deliver in the most challenging conditions.

**For unmatched quality, value, innovation, and application expertise,  
make Kennametal your SOLID choice!**





	Item	Order Number	New Item	Collar Dia. (mm)	Puller Groove	Product Status	Recommended Application Chart / Conditions					Pieces per Box	Pieces per Pallet
							Soft Rock	Medium Rock	Hard Rock	Abrasive Rock	Laminated Rock		
DSWCX Series	DS07WC X	4082267	•	63.5		Stocked	•	•	•	•	•	14	504
	DS08WC X	4082268	•	63.5		Stocked	•	•		•		14	504
	DS09WC X	4082270	•	63.5		Stocked			•		•	14	504
	DS10WC X	4082271	•	63.5		Stocked		•	•			14	504
	DS11WC X	4082272	•	63.5		Stocked		•	•	•		14	504
	DS12WC X	4082265	•	63.5		Stocked	•	•		•		14	504
DSWC Series	DS07WC	3652712		63.5		Stocked	•	•	•	•	•	14	504
	DS08WC	3652711		63.5		Stocked	•	•		•		14	504
	DS09WC	3652709		63.5		Stocked			•		•	14	504
	DS10WC	3652707		63.5		Stocked		•	•			14	504
	DS11WC	3652617		63.5		Stocked		•	•	•		14	504
	DS12WC	3793692		63.5		Stocked	•	•		•		14	504
DS Series	DS01	1880696		50	•	Stocked		•	•		•	12	600
	DS04	1918736		50	•	Stocked	•	•				12	600
	DS05	1918738		50	•	Stocked			•		•	12	600
	DS06	3110671		50		Made to Order	•	•		•		12	600
	DS04-59	2878333		59	•	Made to Order	•	•				12	600

**Tool Recommendation:**

Gold (best)
  Silver (better)
  Bronze (good)

# Proven Reliability – Unparalleled

**No matter what your cutting conditions, equipment, or budget, we have just the tools you need!**

## GOLD

*Our very best tools.* Choose from this group when you want to save time and money long-term. Simply, these products – with their exceptionally durable bodies due to our proprietary hardness (**throughout the entire head**) process – deliver ultra-high performance over their lifetime versus any existing tools. That results in fewer teeth required, less downtime, and greatly reduced operating costs – thus helping you to become more productive and profitable! In addition, these tools incorporate our latest tip designs for maximum penetration and service. Plus, they have extra-wide collars for unmatched block protection.

**UNIQUE BODY HARDNESS PROCESS PROVIDES HIGH-PERFORMANCE OUTPUT OVER LIFE OF TOOL  
• EXTRA-WIDE COLLARS SAFEGUARD BLOCKS • LATEST TIP DESIGNS FOR ULTIMATE PENETRATION**

## SILVER

When your work calls for tools with *something beyond ordinary* performance, select from this series. Our unique carbide tip grades and designs, in conjunction with Kennametal's exceptional retention methods, yield superior results in even the most challenging applications!

**EXTRA-WIDE COLLARS SAFEGUARD BLOCKS • LATEST TIP DESIGNS FOR ULTIMATE PENETRATION**

## BRONZE

*Kennametal's Classic tools.* Time-tested and proven in the field. For your everyday cutting requirements, no comparable products can provide the same efficiency!

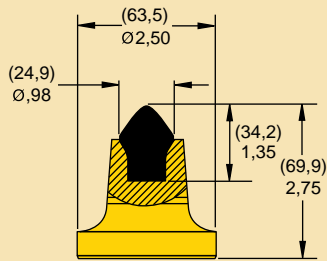
**LATEST TIP DESIGNS FOR ULTIMATE PENETRATION**



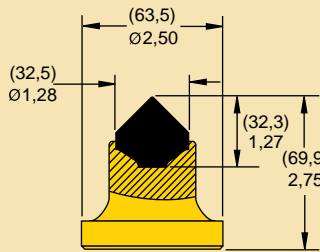
# Productivity.

# GOLD

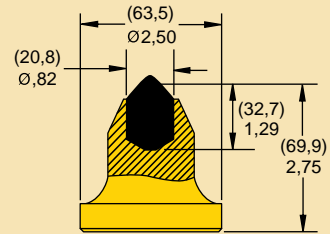
## DSWCX Series



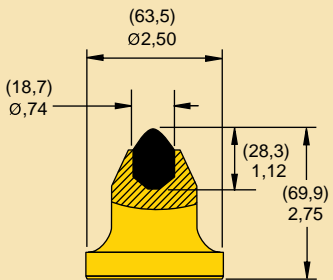
**DS07WC X**  
4082267



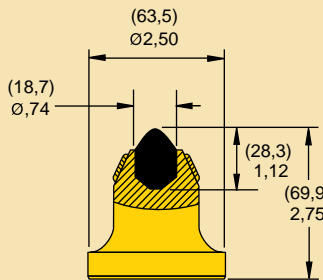
**DS08WC X**  
4082268



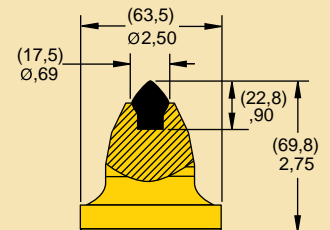
**DS09WC X**  
4082270



**DS10WC X**  
4082271



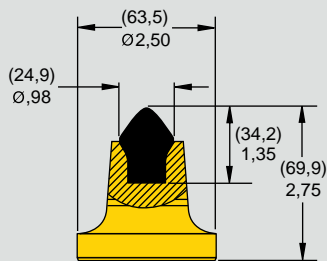
**DS11WC X**  
4082272



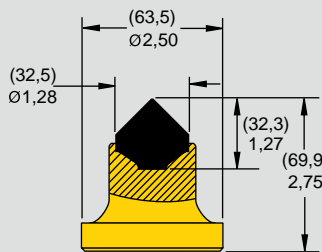
**DS12WC X**  
4082265

# SILVER

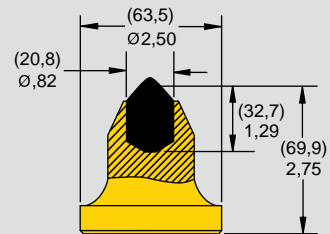
## DSWC Series



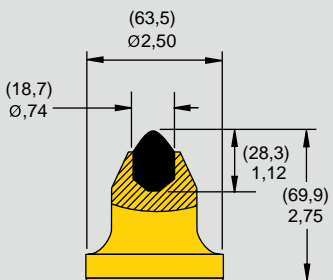
**DS07WC**  
3652712



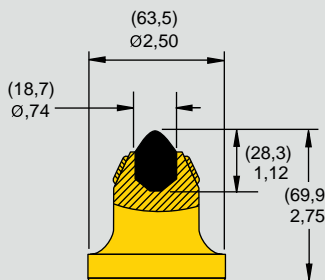
**DS08WC**  
3652711



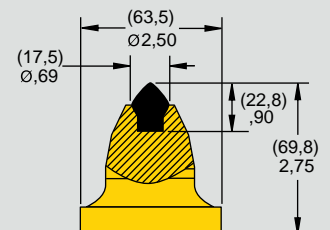
**DS09WC**  
3652709



**DS10WC**  
3652707



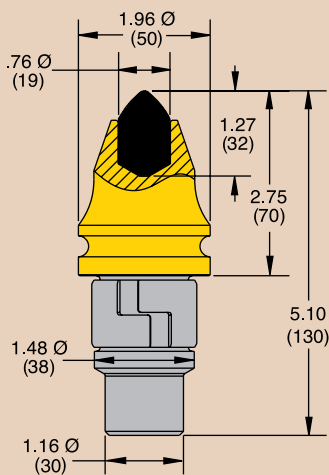
**DS11WC**  
3652617



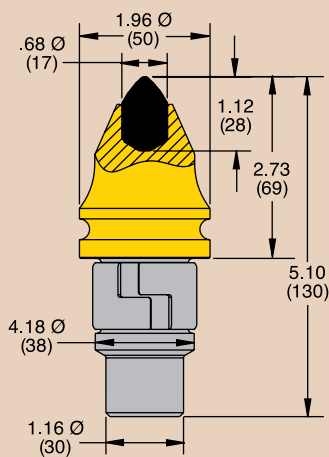
**DS12WC**  
3793692

# BRONZE

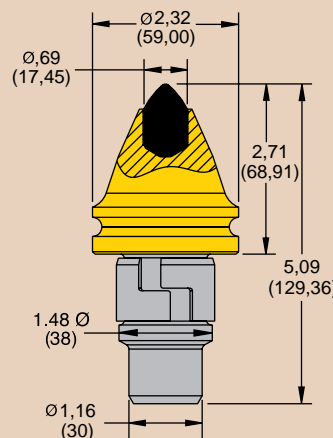
## DS Series



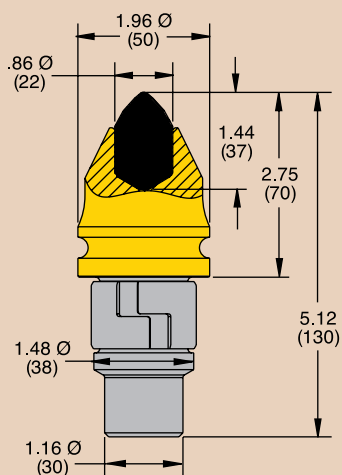
**DS01**  
1880696



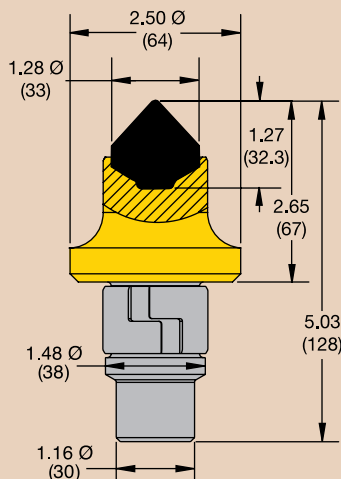
**DS04**  
1918736



**DS04-59**  
1918738



**DS05**  
1918738



**DS06**  
3110671

## **Kennametal**

The proven global leader in the design, manufacture, implementation, and sale of premium-quality tooling systems for underground and surface mining, road rehabilitation, aggregates production, and waste recycling!

### **United States / Canada / Mexico**

Phone: 800.458.3608

Fax: 800.521.3319

[mcs-na.service@kennametal.com](mailto:mcs-na.service@kennametal.com)

### **Germany / European Served Area**

Phone: (49) 6172 737 498

Fax: (49) 6172 737 42 453

[mcs-ag.service@kennametal.com](mailto:mcs-ag.service@kennametal.com)

### **Poland / Slovakia / Baltics**

Phone: (48) 32 47 89 100

Fax: (48) 32 47 89 112

### **Brazil / Latin America**

Phone: (55) 19 3936 9200

Fax: (55) 19 3936 9201

### **Argentina**

Phone: (54) 011 4719 0700

Fax: (54) 011 4719 6116

### **Chile**

Phone: (56) 2 2641177

Fax: (001) 888 442 4964

### **China**

Phone: (86) 400 6501 388

Fax: (86) 10 8561 5263

### **Japan**

Phone: (81) 3 3820 2855

Fax: (81) 3 3820 2800

### **Korea**

Phone: (82) 2 2109 6967

Fax: (82) 2 2109 6981

### **Thailand / Singapore / Vietnam / Philippines**

Phone: (66) 2642 3455

Phone: (66) 2246 8025 – 32

Fax: (66) 2641 2736 – 8

### **Malaysia / Indonesia**

Phone: (6) 03 5569 9080

Fax: (6) 03 5569 0080

### **India**

Phone: (91) 80 2839 4321

Phone: (91) 80 2219 8444

Fax: (91) 80 2839 1300

[bangalore.information@kennametal.com](mailto:bangalore.information@kennametal.com)

### **Australia / New Zealand**

Phone: (61) 7 3801 5844

Fax: (61) 7 3801 5826

[sydney.service@kennametal.com](mailto:sydney.service@kennametal.com)

### **South Africa / Sub Saharan Area**

Phone: (27) 11397 3540

Fax: (27) 11397 3222



Kennametal Inc.  
1600 Technology Way  
Latrobe, PA 15650  
USA

[WWW.KENNAMETAL.COM](http://WWW.KENNAMETAL.COM)