



# Surface Miner Tools

CONSTRUCTION



SURFACE MINING

# SOLID

Innovation Quality Service Value Application Expertise

The foundation for a successful surface mining operation is built on rock-steady reliability and progress. Kennametal, the world's leading tooling and services provider, proudly introduces SOLID, our solution-focused platform that yields new levels of performance and productivity. SOLID-engineered tools deliver in the most challenging conditions.

**For unmatched quality, value, innovation, and application expertise,  
make Kennametal your SOLID choice!**



	Item	Order Number	Shank Dia. (mm)	Insert Dia. (mm)	Cutting Width								
					< 2500mm				> 2500mm				
					Cutting Conditions								
					Light	Medium	Heavy	Severe	Light	Medium	Heavy	Severe	
(0-20Mpa)	(20-50Mpa)	(50-80Mpa)	(> 80Mpa)	(0-20Mpa)	(20-50Mpa)	(50-80Mpa)	(> 80Mpa)						
TSCX / KSMX Series	TS19C X	4066765	38/30	17.5	•					•			
	TS31C X	4066872	38/30	19		•					•		
	TS32C X	4066821	38/30	22			•					•	
	TS30C X	4050638	38/30	25				•					•
	KSM42 LW1	Made to Order	42	17.5	•					•			
	KSM42 LW2	Made to Order	42	19		•					•		
	KSM42 LW3	Made to Order	42	22			•					•	
	KSM42 LW4	Made to Order	42	25				•					•
TS / KSM Series	TS19	1750422	38/30	17.5	•					•			
	TS31	2602450	38/30	19		•					•		
	TS32	2602451	38/30	22			•					•	
	TS30	2458404	38/30	25				•					•
	KSM42 S1	Made to Order	42	17.5	•					•			
	KSM42 S2	Made to Order	42	19		•					•		
	KSM42 S3	Made to Order	42	22			•					•	
	KSM42 S4	Made to Order	42	25				•					•
	KSM42 E1	Made to Order	42	17.5	•					•			
	KSM42 E2	Made to Order	42	19		•					•		
	KSM42 E3	Made to Order	42	22			•					•	
	KSM42 E4	Made to Order	42	25				•					•
U Series	U47GB	1010611	38/30	17.5	•					•			
	U47	1010742	38/30	19		•					•		
	U47HD	2222091	38/30	22			•					•	
	U47 52	1010429	38/30	25				•					•

**Tool Recommendation:**

Gold (best)
  Silver (better)
  Bronze (good)

# Proven Reliability – Unparalleled Productivity.

No matter what your cutting conditions, equipment, or budget, we have just the tools you need!

## GOLD

*Our very best tools.* Choose from this group when you want to save time and money long-term. Simply, these products – with their exceptionally durable bodies due to our proprietary hardness (**throughout the entire head**) process – deliver ultra-high performance over their lifetime versus any existing tools. That results in fewer teeth required, less downtime, and greatly reduced operating costs – thus helping you to become more productive and profitable! In addition, these tools incorporate our latest tip designs for maximum penetration and service. Plus, they have extra-wide collars for unmatched block protection.

**UNIQUE BODY HARDNESS PROCESS PROVIDES HIGH-PERFORMANCE OUTPUT OVER LIFE OF TOOL**  
• EXTRA-WIDE COLLARS SAFEGUARD BLOCKS • LATEST TIP DESIGNS FOR ULTIMATE PENETRATION

## SILVER

When your work calls for tools with *something beyond ordinary* performance, select from this series. Our unique carbide tip grades and designs, in conjunction with Kennametal's exceptional retention methods, yield superior results in even the most challenging applications!

EXTRA-WIDE COLLARS SAFEGUARD BLOCKS • LATEST TIP DESIGNS FOR ULTIMATE PENETRATION

## BRONZE

*Kennametal's Classic tools.* Time-tested and proven in the field. For your everyday cutting requirements, no comparable products can provide the same efficiency!

LATEST TIP DESIGNS FOR ULTIMATE PENETRATION



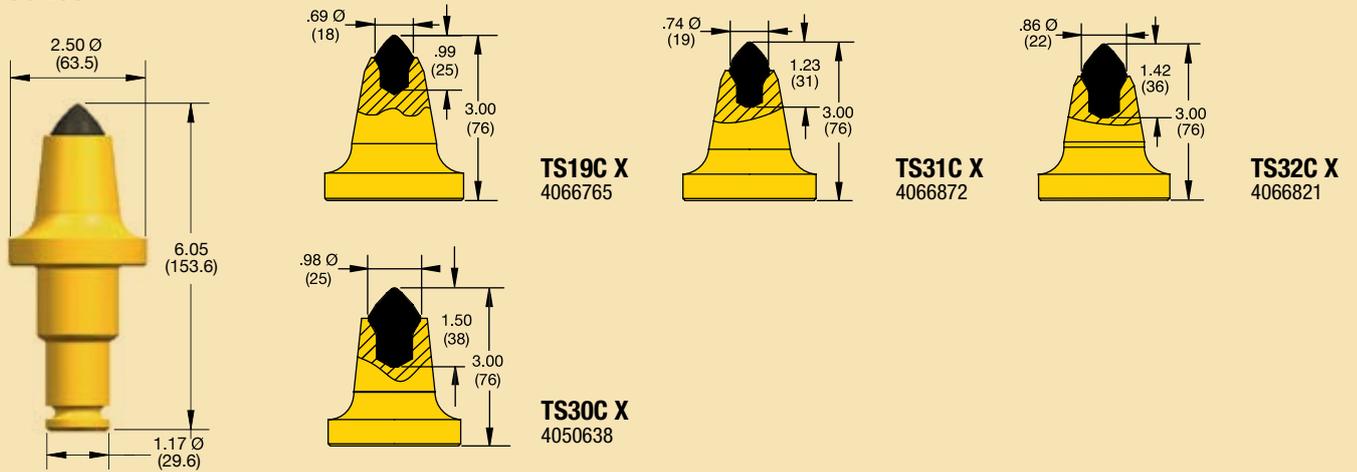
# GOLD

TR3 Retainer  
4073124



## TSCX Series / KSMX Series

### TSCX Series



### KSMX Series

# Coming Soon!

### Other Surface Miner Products:



Drums



Blocks

# SILVER

**TS Series**  
**KR112 Retainer**  
 1011979

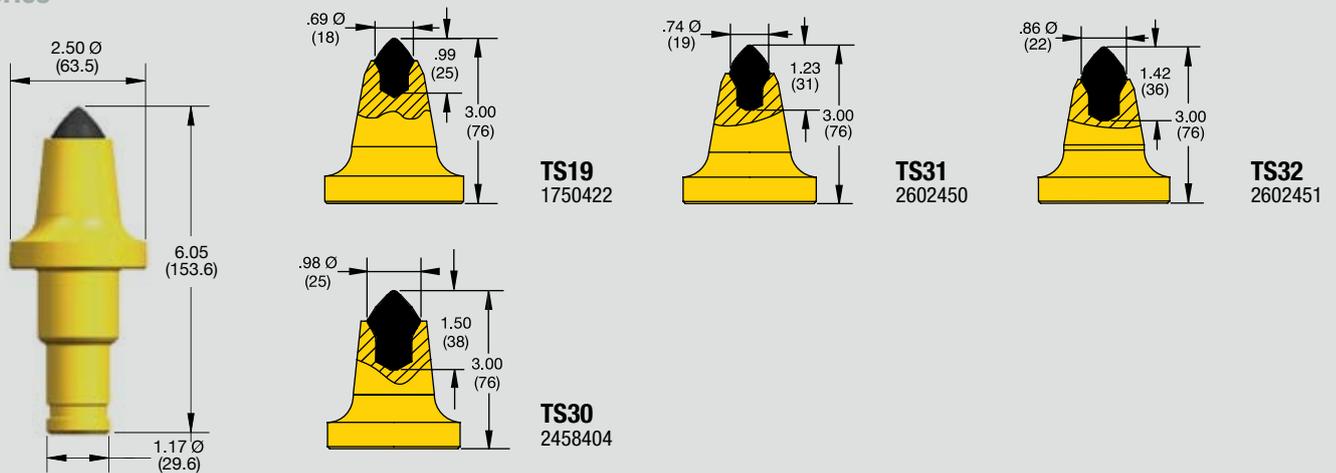


**KSM Series**  
**CM6H Retainer**  
 1777806

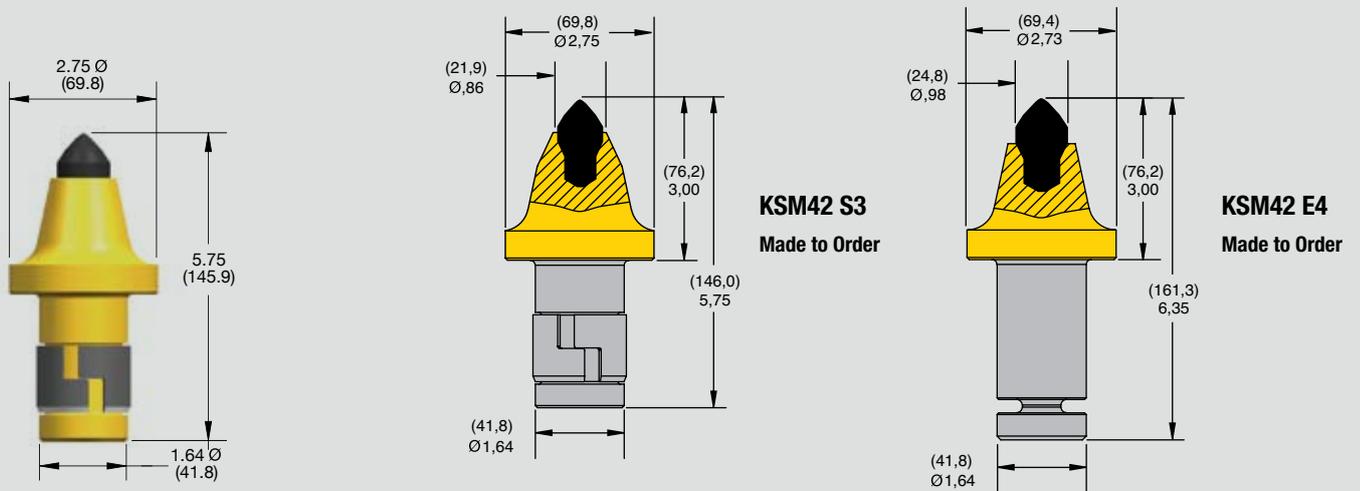


## TS Series / KSM Series

### TS Series



### KSM Series



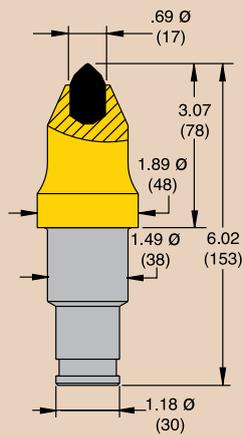
# BRONZE

KR112 Retainer  
1011979

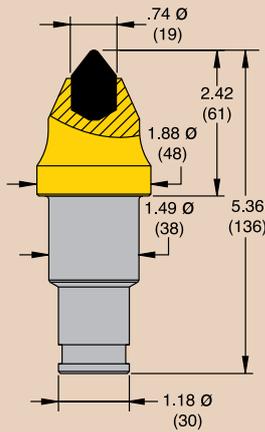


## U Series

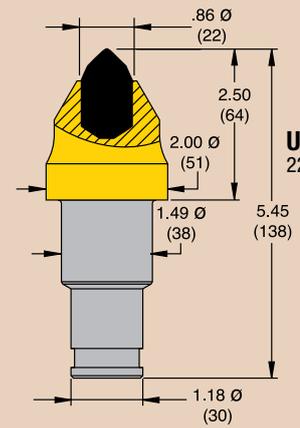
### U Series



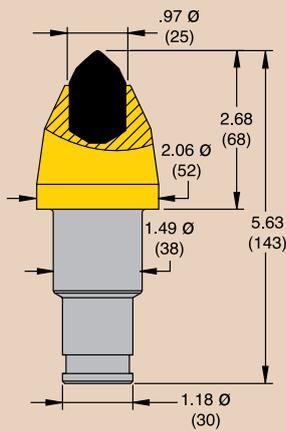
**U47GB**  
1010611



**U47**  
1010742



**U47HD**  
2222091



**U47 52**  
1010429

## **Kennametal**

The proven global leader in the design, manufacture, implementation, and sale of premium-quality tooling systems for underground and surface mining, road rehabilitation, aggregates production, and waste recycling!

### **United States / Canada / Mexico**

Phone: 800.458.3608

Fax: 800.521.3319

[mcs-na.service@kennametal.com](mailto:mcs-na.service@kennametal.com)

### **Germany / European Served Area**

Phone: (49) 6172 737 498

Fax: (49) 6172 737 42 453

[mcs-ag.service@kennametal.com](mailto:mcs-ag.service@kennametal.com)

### **Poland / Slovakia / Baltics**

Phone: (48) 32 47 89 100

Fax: (48) 32 47 89 112

### **Brazil / Latin America**

Phone: (55) 19 3936 9200

Fax: (55) 19 3936 9201

### **Argentina**

Phone: (54) 011 4719 0700

Fax: (54) 011 4719 6116

### **Chile**

Phone: (56) 2 2641177

Fax: (001) 888 442 4964

### **China**

Phone: (86) 400 6501 388

Fax: (86) 10 8561 5263

### **Japan**

Phone: (81) 3 3820 2855

Fax: (81) 3 3820 2800

### **Korea**

Phone: (82) 2 2109 6967

Fax: (82) 2 2109 6981

### **Thailand / Singapore / Vietnam / Philippines**

Phone: (66) 2642 3455

Phone: (66) 2246 8025 – 32

Fax: (66) 2641 2736 – 8

### **Malaysia / Indonesia**

Phone: (6) 03 5569 9080

Fax: (6) 03 5569 0080

### **India**

Phone: (91) 80 2839 4321

Phone: (91) 80 2219 8444

Fax: (91) 80 2839 1300

[bangalore.information@kennametal.com](mailto:bangalore.information@kennametal.com)

### **Australia / New Zealand**

Phone: (61) 7 3801 5844

Fax: (61) 7 3801 5826

[sydney.service@kennametal.com](mailto:sydney.service@kennametal.com)

### **South Africa / Sub Saharan Area**

Phone: (27) 11397 3540

Fax: (27) 11397 3222



Kennametal Inc.  
1600 Technology Way  
Latrobe, PA 15650  
USA

[WWW.KENNAMETAL.COM](http://WWW.KENNAMETAL.COM)