

Please read the instructions before starting any work.

Operating Manual



Fan series: AAOM
AAOM01 / AAOM_D40

POLLRICH[®]DLK[®]
FAN FACTORIES

Pollrich DLK Fan Factories
Pollrich Ventilatoren GmbH
Neusser Straße 172
41065 Mönchengladbach
Telephone: +49 (0) 2161 / 968-0
Fax: +49 (0) 2161 / 968-307
email: info@pollrichdlk.com

Web: www.pollrichdlk.com

DLK Ventilatoren GmbH
Ziegeleistraße 18
74214 Schöntal-Berlichingen
Telephone: +49 (0) 7943 / 9102-0
Fax: +49 (0) 7943 / 9102-10
email: info@pollrichdlk.com
Web: www.pollrichdlk.com

AAOM, 2, en_GB

The version supplied may differ from the illustrations in the operating instructions.

These instructions were compiled by:

Pollrich DLK Fan Factories

© Pollrich DLK Fan Factories 2012

Table of contents

1	General	5
1.1	Information about this manual.....	5
1.2	Valid documents.....	5
1.3	Explanation of symbols.....	5
1.4	Copyright protection.....	6
1.5	Other matters.....	6
1.6	Customer service.....	7
1.7	Declaration of conformity as per EC Machinery Directive 2006/42/EC	7
2	Safety	9
2.1	Regulations.....	9
2.2	Intendend use.....	9
2.2.1	Vacuum and pressure side flow losses.....	10
2.3	Operator's responsibility.....	10
2.4	Staff requirements.....	11
2.5	Unauthorised persons.....	11
2.6	Mechanical dangers.....	12
2.7	Danger due to electrical currents!.....	13
2.8	Safety equipment.....	13
2.8.1	Securing against switch-on.....	15
2.9	Unauthorised conversions.....	15
3	Technical data	17
4	Construction and function	19
4.1	Working and danger areas.....	19
4.2	Operating elements.....	19
4.3	Brief description.....	19
4.3.1	Smoke and heat extraction device.....	19
4.3.2	Device with double function.....	19
4.4	Accessories.....	20
4.4.1	Description of the components.....	20
5	Transportation, packaging and storage	21
5.1	Scope of delivery.....	21
5.2	Transport inspection.....	21
5.3	Packaging.....	21
5.4	Safety information.....	22
5.5	Transport.....	23
5.6	Storage.....	25
6	Installation and initial commissioning	27
6.1	Safety.....	27
6.2	Assembly.....	28
6.2.1	Ventilator befestigen.....	29
6.3	Tests before initialisation.....	31

Table of contents

6.4	Initialisation.....	31
6.5	Tests after initialisation.....	32
6.6	Converter operation.....	32
7	Operation	33
7.1	Safety.....	33
7.2	Targeted stoppage.....	33
7.3	Stoppage in case of an emergency.....	34
8	Maintenance and repair	35
8.1	Safety.....	35
8.2	Maintenance of impeller and housing.....	36
8.3	Measures after maintenance.....	37
8.4	Replacing the motor.....	38
8.5	Repair.....	38
8.6	Spare parts.....	40
9	Faults	41
9.1	Safety.....	41
9.2	Faults table.....	43
10	Disassembly and disposal	45
10.1	Safety.....	45
10.2	Dismantling and disposal.....	45
11	Appendix	47

1 General

1.1 Information about this manual

- The operating manual must be kept in the near vicinity of the machine, accessible at all times.
- This manual must be carefully read before beginning any work.
- Keep all the safety information and working instructions.
- Note the local accident prevention regulations and general safety terms.
- Illustrations in this manual may differ from the actual design.
- Note the co-applicable manuals of any installed components.

1.2 Valid documents

Pay attention to the following information:

- Type Plate
- DIN EN ISO 12100
- DIN EN ISO 13857
- In case of smoke extraction additional: Permission according to DIBT

1.3 Explanation of symbols

Safety information

- Safety information is identified in this manual with symbols.
- In order to prevent accidents, personal and property damages, it is compulsory to comply with the safety information.
- The operator bears sole responsibility as the person responsible for the product.



WARNING!

Note to a possible dangerous situation which may lead to death or major injuries.



CAUTION!

Note to a possible dangerous situation which may lead to minor or light injuries.



NOTICE!

Note to a possible dangerous situation which may lead to property or environmental damages.

General

Tips and recommendations



Useful tips and recommendations as well as information for efficient and fault-free operation.

Specific safety information

The symbols below are used in safety guidelines to indicate specific dangers.



DANGER!

Note to dangers due to electrical currents. There is the danger of death or major injuries in the case of non-compliance.

Signs in this manual

In order to identify working instructions, results descriptions, lists, references and other elements, the following signs and marks are used:

- ➔ Identifies step-by-step working instructions.
 - ⇒ Identifies a status or automatic sequence as a result of an action.
- Identifies lists and list entries without a specific order.
- ↪ Identifies references to chapters of this manual.

1.4 Copyright protection

This manual is copyright protected and exclusively determined for internal purposes.

Transfer of the manual to third parties, reproductions of any type or form – including in extracts – as well as utilisation and/or notification of the contents are not permitted without the written authorisation of the manufacturer, apart from for internal purposes.

Breaches are subject to damage compensation. Further claims are reserved.

1.5 Other matters

All details and information in this manual have been compiled under consideration of the valid norms and regulations, the state of the technology and our years of knowledge and experience.

The actual scope of supply may differ from the explanations and presentations described here in the case of special designs, use of additional order options or due to the latest technical modifications.

General

The obligations agreed in the supply contract and the general terms of business as well as the manufacturer's terms of delivery and valid regulations at the time of concluding the contract are applicable.

See the general terms of business for all other products.

1.6 Customer service

If there are any questions about commissioning, maintenance, spare parts or something else, please always contact the service of PollrichDLK:



Pollrich Ventilatoren GmbH / Hotline: +49(0) 2161-968-184 /
Telefax: +49(0) 2161/968-305

DLK Ventilatoren GmbH / Hotline: +49 (0) 7943 - 9102-31 /
Telefax: +49(0) 7943/9102-10

www.pollrichdlk.com

1.7 Declaration of conformity as per EC Machinery Directive 2006/42/EC

General

POLLRICHDLK®
FAN FACTORIES

EC – Declaration of Conformity

According to the EC-directive 2006/42/EC

The manufacturer DLK Ventilatoren GmbH
Ziegeleistraße 18
D-74214 Schöntal-Berlichingen

herewith declares, that the subsequent product is designed, produced and introduced in conformance to the directive mentioned above.

Description: **Axial fan with direct drive**

Type: **AAOM01**

Order number: See name plate

Year of construction: See name plate

Directive: **EC - Machinery Directive 2006/42/EC**

Applied, harmonised standards: DIN EN ISO 12100
DIN EN ISO 13857
DIN EN 60204-1

Berlichingen, 05.06.2012



i.A. Dipl.-Ing. Fabian Korn
CE-Documentation Manager
Research & Development



i.V. Dr.-Ing. Daniel Wolfram
Technical Director
Research & Development

2 Safety

The operator bears sole responsibility for optimal and full personnel protection as well as for safety and fault-free operation.

Failure to comply with the working instructions and safety information provided in this manual can lead to considerable dangers.

2.1 Regulations

- All safety and accident prevention regulations are to be observed as well as the machinery directive 2006/42/EC.
- The operator is legally responsible for the product.
- Fan only operate when in perfect condition.

2.2 Intended use

The machine is exclusively designed and constructed for the intended use described here.

The AAOM type fan is exclusively intended to transport the mediums stated in chapter 3 on "technical data" within the performance limits and the stated operating conditions.

All details in this manual must be observed.

Any different type of use is misuse.

Any types of claims due to damages caused by misuse are excluded.



WARNING!

Danger due to misuse!

- No transport of unsuitable mediums.
- Not operate beyond the specified performance limits (speed maximum, temperature).
- No operation without protective equipment.
- Comply the specific cleaning intervals.
- No operation despite insufficient lubrication.

- Only explosion protected fans mounted in areas at risk of explosion.
- Set cleaning intervals in dusty areas.
- For standard designs, the place of installation may not be higher than 1000 m above sea level.
- Assembly and connection must take place in accordance with this manual.
- The fan only use in perfect technical condition.

Safety

- All unintended uses are prohibited.
- This manual must be handed over to the operator after initialisation.

“Further information can be requested from the manufacturer”

2.2.1 Vacuum and pressure side flow losses



NOTICE!

The flow behaviour of a fan can be negatively influenced by unfavourable installation conditions. The operating point of the fan can move to an unauthorised working range (splitting range). In this case, there is no claim to a guarantee for consequential damages, especially due to (resonance) vibrations.

2.3 Operator's responsibility

Operator

The operator is the person who operates the machine for commercial or business purposes by himself, or who hands the machine over to third parties for use/application and who bears legal product responsibility during operation for the protection of users, personnel or third parties.

Operator's duties

The machine is deployed in commercial areas. The operator of the machine is therefore subject to the legal obligations and notification obligations on work safety.

Alongside the safety information in this manual, the valid safety, accident prevention and environmental protection regulations must be complied with for the machine's area of use.

The following particularly applies:

- The operator must inform himself about the valid work protection and determine additional dangers in a danger analysis caused by special working conditions where the machine is used. These must be implemented for operation of the machine in the form of operating instructions.
- The operator must check whether the operating instructions he has produced for the machine correspond with the current status of rules throughout the operating period and adapt them if necessary.
- The operator must ensure that all employees who work with the machine have read and understood this manual. Furthermore, he must train employees at regular intervals and inform about the dangers.

- The operator must regularly instruct the members of staff according to his safety-documents.
- The operator must provide members of staff with the necessary protective equipment.

In addition, the operator is responsible that the machine is always being kept in perfect technical condition. The following therefor applies:

- The operator must ensure that the maintenance intervals described in this manual are complied with.
- The operator must allow all safety equipment to be regularly checked for functionality and completeness.
- The general building approval is enclosed upon delivery.

2.4 Staff requirements



WARNING!

Danger of major injuries or considerable damage to property if members of personnel have insufficient qualifications!

- Only allow all work to be performed by qualified personnel.
- Keep unqualified personnel away from danger areas.

2.5 Unauthorised persons



WARNING!

Danger of death to unauthorised persons in the danger and working area!

- Keep unauthorised persons away from the danger and working area.
- In case of any doubt, address the person involved and send them out of the danger and working area.
- Interrupt work as long as unauthorised persons are inside the danger and working area.

Safety

2.6 Mechanical dangers

Fan

**WARNING!****Danger of injury due to rotating parts!**

- During operation, do not reach into the moving wheel or tamper with the wheel.
- Do not open covers and maintenance covers during operation.
- Make sure that the wheel is not accessible during operation.
- Pay attention to the after-run time: make sure that no more components are moving before opening the covers for maintenance purposes.
- Switch off the fan before beginning any work on moving components and secure it against being switched back on. Make sure that all components have come to a standstill.
- This fan fulfills the requirements of EC-machinery directive 2006/42/EC, when one of the following requirements are secured:
 - The fan is attached at pressure and suction side.
 - The fan is attached at pressure side and equipped with safety devices (f.e. safety wire) at suction side.
 - The fan is attached at suction side and equipped with safety devices (f.e. safety wire) at pressure side.
 - The fan is equipped at pressure and suction side with safety devices (f.e. safety wire) at pressure side..

Vibrations

**WARNING!****Danger of injury caused by heavy vibrations!**

- Do not take the vibration dampers out of operation.
- Do not remain within the vibrating area during operation.

Sharp edges and pointed corners

**CAUTION!****Danger of injury due to sharp edges and pointed corners!**

- Proceed carefully when working near to sharp edges and pointed corners.
- Wear protective gloves in case of any doubt.

2.7 Danger due to electrical currents!

Electrical current



DANGER!

Danger of death due to electrical currents!

- Work on the electrical system may only be performed by an electrician.
- Shutdown the voltage supply immediately and arrange repair in case of any damages to the insulation.
- Make sure that the electrical system and equipment is disconnected before beginning any work on the live parts and ensure this status for the full period of work. Observe the 5 safety regulations:
 - Disconnect
 - Secure against being switched back on
 - Ensure the absence of voltage
 - Earth and short-circuit
 - Cover or limit neighbouring live parts
- Never bridge fuses or take them out of operation. Comply with the correct fuse rating when replacing fuses.
- Keep moisture away from live parts. This can lead to short-circuit.

2.8 Safety equipment



WARNING!

Danger of life caused by safety equipment, which are out of commission

- Check whether all safety equipment is functional and correctly installed before beginning any work.
- Never take safety equipment out of operation or bridge it.
- Make sure that all safety equipment is always accessible.
- The safety equipment has to be evaluated by taking the safety concept of the complete construction into account.

Schutzausrüstung

Safety

Safety helmet



Safety helmet serve the purpose of protecting against falling objects.

Ear protectors



Ear protectors serve the purpose of protection against damage to hearing.

Protective work clothing



Protective work clothing is closely fitting work clothes with low tensile strength, with close fitting sleeves and without protruding parts. It generally serves the purpose of preventing clothes being caught in moving machine parts. Do not wear any rings, chains or other jewelry.

Protective gloves



Protective gloves serve the purpose of providing protection to hands against friction, scrapes, punctures or deeper injuries as well as against contact with hot surfaces.

Safety footwear



Safety footwear serves the purpose of protecting against heavy falling parts and slipping on slippery surfaces.

Hairnet



The hairnet is a special protective measure for long hair, generally used to prevent hair being caught by moving machine parts.

2.8.1 Securing against switch-on



WARNING!

Danger of life caused by unauthorised or uncontrolled switch-on!

- Before securing against being switched back on, make sure that all safety equipment is mounted and functional and that there are no dangers caused to other persons.
- Always make sure that the sequence described as followed for securing against switch-on is complied with.

Secure against switch-on

1. ➤ Switch off the energy supply
2. ➤ Inform responsible persons about work in the danger area
3. ➤ Provide the machine and controls with a sign referring to work in the danger area and prohibiting switch-on. Provide the sign with the following details:
 - Switched off on:: at: by:
 - Note: do not switch on!
4. ➤ After all work has been performed; make sure that there are no dangers to persons.
5. ➤ Make sure that all safety and protection equipment is installed and functional.
6. ➤ Remove the sign.

2.9 Unauthorised conversions

Conversions and changes to the fan are not permitted.

Safety

3 Technical data

For fan operating data see the type plate on the fan housing. See PollrichDLK quotation for further technical data.

Technical data

POLLRICHDLK®
FAN FACTORIES

Product data sheet AAOM01 (Toromax) by Pollrich DLK



Series AAOM01

Low pressure axial fan, direct driven
Fan size range:
 DN 250 – DN 1600
Application: Suitable for ventilation up to max. 40°C constant temperature.

Technical data: (50Hz)
 $Q_v = 1,000 - 225,000 \text{ m}^3/\text{h}$
 $P_1 = 100 - 2,000 \text{ Pa}$
 $P_2 = 0,25 - 132 \text{ kW}$

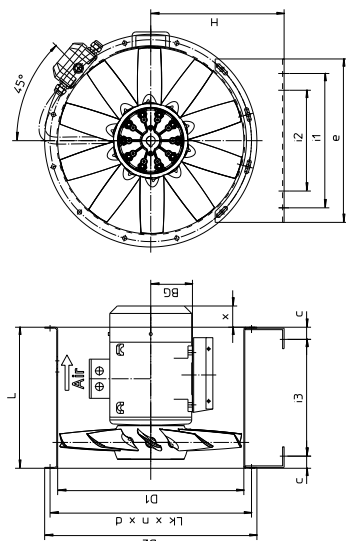
Low pressure - axial fan with direct drive.
 Series AAOM01, DN 250 – DN 1600.
 Suitable for ventilation up to max. 40°C constant temperature.

Consisting of:
 Casing of sheet-steel with rolled flanges on both sides and with welded or riveted motor support. Optimal surface protection by powder coating RAL 7015
Impeller with corrosion-resistant hub and easy-to-assemble shaft / hub connection. Infinitely adjustable when at rest, aerofoil section blades made of tensile aluminum cast alloy. Dynamically balanced according to DIN ISO 1940-1, balance quality G 6.3 < 4.0 mm/s for flexible subassembly

Three-phase alternating current motor / IEC - standard motor in B3 mounting, protection type IP 55 / insulation class F.
 Motor power selected for cold start-up at 20°C.
 PVC control line, radially designed.
 Electrical wiring at clamping box at the outside (optional accessory).

Accuracy class 2 acc. to DIN 24 166
Tolerances acc. to DIN 2768
Performance tests acc. to ISO 5801.

AAOM Ausführung B



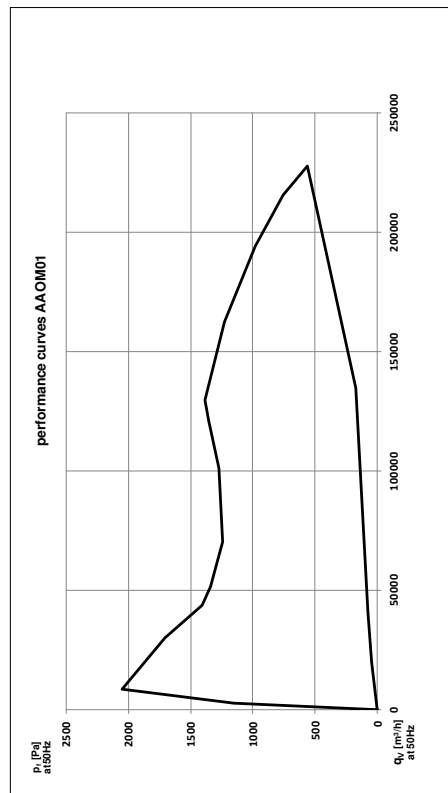
Mounting on rubber anti vibration mounts

	250	280	315	355	400	450	500	560	630
D1	252	283	317	357	402	452	502	562	632
D2	308	334	381	415	471	519	565	636	719
Lk x	285 x 8	332 x 8	356 x 12	395 x 12	438 x 12	486 x 12	541 x 12	605 x 16	674 x 16
n x d	x Ø9,5	x Ø11,5	x Ø11,5	x Ø11,5	x Ø11,5	x Ø11,5	x Ø11,5	x Ø14	x Ø14
L	180	240	240	303	303	378	378	480	555
H	180	205	230	261	284	309	334	400	435
e	180	205	233	317	351	395	438	440	526
l1	120	165	250	270	300	324	360	380	462
l2	136	191	186	249	249	323	323	425	499
c	22	24,5	27	27	27	27,5	27,5	27,5	28
Motor size	63-80	63-80	63-80	71-90	71-90	71-90	80-112	80-112	80-160
D1	710	800	900	1000	1120	1250	1400	1600	
D2	713	804	905	1005	1128	1258	1410	1610	
Lk x	755 x 16	841 x 16	945 x 16	1045 x 16	1175 x 16	1311 x 16	1469 x 16	1665 x 16	
n x d	x Ø14	x Ø14	x Ø14	x Ø14	x Ø14	x Ø14	x Ø14	x Ø14	
L	555	585	675	675	810	810	1000	1000	
H	495	540	590	642	706	733	900	1000	
e	688	760	840	930	885	986	1008	1100	
l1	546	610	660	730	760	786	768	818	
l2	426	400	500	500	500	500	500	500	
l3	484	512	602	602	720	720	910	1090	
c	35,5	36,5	36,5	36,5	45	45	45	45	
Motor size	80-100	90-100	100-112	100-112	125-160	125-160	160-200	160-200	
	180	200	225	250	280	280	280	315	

Dimensions and design subject to alteration

* Ventilator - inkl. Motorgewicht (abhängig von der BG)
 Alle Maßangaben in mm

2011-08-15



DLK Ventilatoren GmbH
 D-74214 Schönlach-Berchingen
 Telefon: +49(0) 79 43 / 9102-0
 Telefax: +49(0) 79 43 / 9102-10
 e-mail: info@pollrichdlk.com
 Internet: http://www.pollrichdlk.com

4 Construction and function

4.1 Working and danger areas

No permanent working areas are sheduled in the area of the fan.

4.2 Operating elements



Operation of the fan takes place using the controls provided on-site.

Information on operation can be taken from the corresponding operating manual.

4.3 Brief despcription

4.3.1 Smoke and heat extraction device

Device is not suitable for extraction of smoke and hot gases from a building in case of fire.

4.3.2 Device with double function

Device is no smoke and heat extraction device that may be used for daily ventilation

Construction and function

4.4 Accessories

4.4.1 Description of the components

- Mounting feet for floor or ceiling installation
- Inlet nozzle with or without wire guard to prevent air turbulence and to reduce the sound level
- Wire guard for securing the safety regulations
- Counter flange round, pressed as an angle flange for connection of casings
- Casing long for tube extension
- self-activating sealing flap prevents the penetration of parts and protects against external weather
- Compensator (round), for balancing of movements
- Rubber anti vibration mounts to reduce oscillation
- Terminal box of aluminium or plastic
- Repair switch for electrical protection for repair or maintenance on the device
- Cylindrical silencer with or without core for noise reduction
- Feet for cylindrical silencer

Transportation, packaging and storage

5 Transportation, packaging and storage

5.1 Scope of delivery



A list of of supplied components is contained in the accompanying documents.

5.2 Transport inspection

Immediately check the delivery upon receipt for completeness, technical changes and transport damages.

Proceed as follows if any external transport damages or technical changes can be identified:

- Do not accept the delivery or only subject to conditions
- Note the extent of damage on the transport documents or on the shipper's delivery note
- Initiate the complaint process.



Make a complaint about any defects as soon as they are recognised. Claims for replacement of damages can only be enforced within the valid complaints period.

5.3 Packaging

For packaging

Packaging is according to the expected transport conditions.

The packaging should protect the individual components against transport damages, corrosion and other damages up to the point of assembly. Therefore do not destroy the packaging and only remove it shortly before assembly.

Symbols on the packaging

Always pay attention to following symbols:

This way up



The points of the arrows identify the top of the packing item. They must always point upwards otherwise the contents could become damaged

Transportation, packaging and storage

Fragile



Identifies a package with fragile or susceptible contents.
Handle the packing item with care, do not let it fall and do not subject it to impacts.

Protect against moisture



Protect the packing item against moisture and keep them dry.

Attach here



Only apply attachments (attachment chains, lifting straps) at points marked with this symbol..

Centre of gravity



identifies the centre of gravity of the packing item.
Pay attention to the position of the centre of gravity when lifting and transporting.

Temperature range



Only transport and store the packing item within the specified temperature range.

5.4 Safety information

Suspended loads



WARNING!

Danger of death due to suspended loads!

- Always cordon off the transport area according to the local regulations
- Never step below or into the movement range of suspended loads
- Only move loads under supervision
- Only use authorised lifting equipment and attachments with sufficient load-bearing capacity
- Lifting equipment such as ropes and straps may not be played against sharp edges and corners - do not knot or twist
- Lower the load when leaving the work station

Transportation, packaging and storage

Off-centre centres of gravity



WARNING!

Danger of injury due to falling or tipping package!

- Only use the attachment points, which are approved from the manufacturer.
- Generally contact the manufacturer in case of any uncertainty.

Transport loops



WARNING!

Danger of injury due to use of incorrect transport loops!

- Only use transport loops marked by the manufacturer for the whole packing item.
- Generally contact the manufacturer in case of any uncertainty.

Swinging transport item



WARNING!

Danger of injury due to swinging transport item!

- Make sure that no persons, objects or obstacles are within the swinging range of the transport item during transport.

Incorrect transport



NOTICE!

Damage to property due to incorrect transport!

- When unloading transport items upon delivery or transporting internally, proceed with caution and observe the symbols and information on the packaging.
- Only use the attachment points provided.
- Transport fans avoiding impacts and jerking.

5.5 Transport

Attachment points



NOTICE!

The transport loops on the motor, bearing or housing are only intended to take the weight of the respective machine parts.

Transportation, packaging and storage



Fig. 1: Attachment point



Attachment points for transport are marked as shown in .

The position of the attachment points is orientated towards the size of the fan and the individual transport conditions.

Please contact the manufacturer in case of any uncertainty.

Transporting transport items with a crane

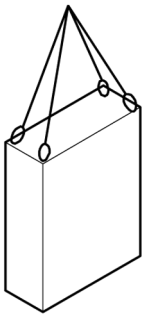


Fig. 2: Attaching transport items

Transport items which have transport loops can be directly transported with your own crane:

1. ➤ Attach ropes, straps or multi-point suspensions accordingly. anschlagen.



CAUTION!

Do not damage the surface protection when hooking and transporting.

2. ➤ Make sure that transport item is hanging straight; pay attention to an off-centre centre of gravity if applicable.
3. ➤ Begin transport.

Transporting pallets with a crane

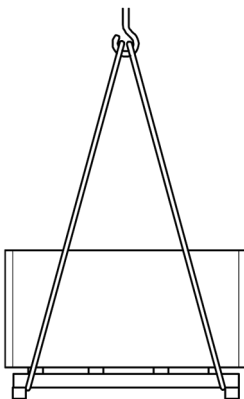


Fig. 3: Attaching pallets

Transport items that are fixed on pallets can be transported with a suitable crane:

Protective equipment: ■ Hard hat

1. ➤ Attach ropes, straps or multi-point suspensions to pallet accordingly and secure the pallet against slipping.
2. ➤ Check whether the transport items are not damaged by the attachment equipment. Use of the attachment equipment is necessary.
3. ➤ Ensure that pallets with an off-centre centre of gravity cannot tilt.
4. ➤ Begin transport.

Transporting pallets with a forklift truck

Transport items that are fixed on pallets can be transported with a suitable forklift truck:

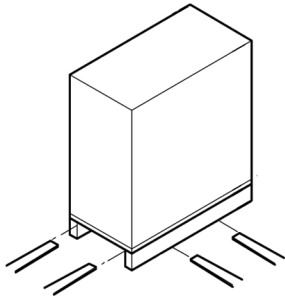


Fig. 4: transport with a forklift truck

Transportation, packaging and storage

1. → Drive the forks on the forklift truck between or beneath the bars on the pallet.
2. → Drive the forks in far enough so that they protrude on the other side.
3. → Ensure that pallets with an off-centre centre of gravity cannot tilt.
4. → Lift the pallet with the transport item and begin transportation.

5.6 Storage

Store PollrichDLK fans in the original packaging up until installation (film packaging without tightening straps) according to the symbols of the package.

Longer periods of intermediate storage

Impeller

Turn by hand once a month (1-2 turns). Carefully turn the impeller.



WARNING!
Danger of injury due to rotating parts!
refer to chapter .

Motor

When stored separately, turn by hand once a month (1-2 turns). Pay attention to the motor operating manual!

Place of storage

In a closed, dry room. Maximum standstill period: 6 months.

Transportation, packaging and storage

Installation and initial commissioning

6 Installation and initial commissioning

Refer to declaration of incorporation or declaration of conformity in accordance with the machinery directive 2006/42/EC.



Initialisation is to be recorded.

Immediately stop the machine if values are identified beyond the performance limits and contact the manufacturer.

More commissioning have to be execute according to the initialisation.

6.1 Safety

Screw torques

The torque levels in accordance of VDI 2230 Oct- 2001 (acc. Appendix).



WARNING!

Danger of injury due to incorrect screw torques!

- Always comply with the torque specifications.
- Never exceed the maximum authorised screw torque.
- Regularly check the screw torque levels.
- Always observe the relevant directives and design criteria for screw connections.

Securing against switch-on



WARNING!

Danger of death due to unauthorised switch-on!

Refer to ↪ Chapter 2.8.1 “Securing against switch-on” on page 15.

Installation and initial commissioning

Incorrect installation and initialisation



WARNING!

Danger of injury due to incorrect installation and initialisation!

- Ensure that there is sufficient space for assembly before beginning any work.
- Handle open, sharp edged components with care.
- Pay attention to tidiness and cleanliness in the place of assembly! Loosely positioned components or those left lying around are potential sources of accidents.
- Mount the components professionally. Comply with the specified screw torque levels.
- Secure components so that they cannot fall down or fall over.
- Pay attention to the following before initialisation:
 - Ensure that all installation work has been implemented and completed in accordance with the details and information in the manual.
 - Ensure that no persons are found within the danger area.

6.2 Assembly

Clearances



The fan must be mounted so that there is sufficient clearance for maintenance and repair measures.

Welding prohibited



NOTICE!

Danger of device damages due to welding work on the fan!

- Do not carry out any welding work on the fan.

Installation and initial commissioning

6.2.1 Ventilator befestigen

Fixing the fan

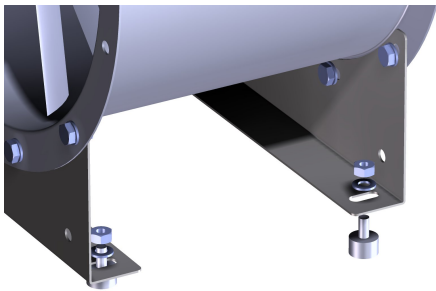
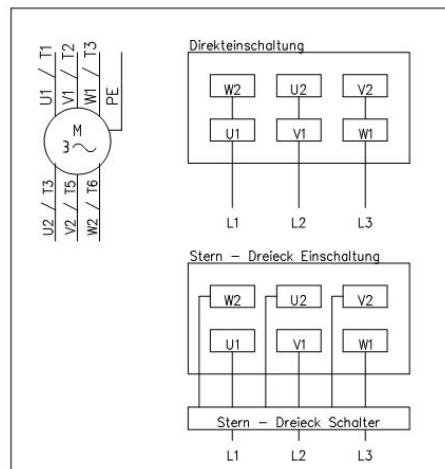
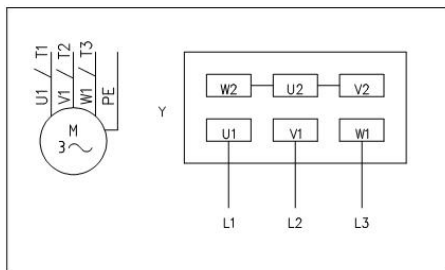


Fig. 5: Fixing the fan

wiring diagrams



The mounting holes on the fan or base frame are so arranged that an even load of the bedrock is ensured.

Requirements:

- The foundation is prepared..

1. ➔ Align the fan straight with a spirit level and filler plate.
2. ➔ Professionally connect the fan or base frame with the ground using all attachment holes, suitable dowls, screws and heavy-load anchors.
3. ➔ The assembly of the fan must be made with anti vibration mounts so that no transmission of vibrations can be made! See Fig. 5
4. ➔ Check and ensure the screws for a tight fit!

The fan has to be connected by an electrician according to the following wiring diagrams. In other cases the declaration of conformity of chapter 2 loses their validity

1. ➔ D/Y

star connection of three-phase motors 230V/400V at rated voltage 400V

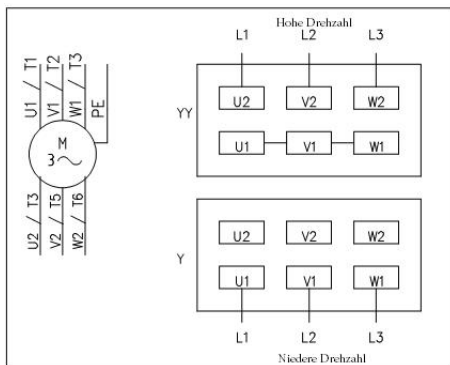
star connection of three-phase motors 400V/690V at rated voltage 690V

2. ➔ D/Y

delta connection of three-phase motors 230V/400V at rated voltage 230V

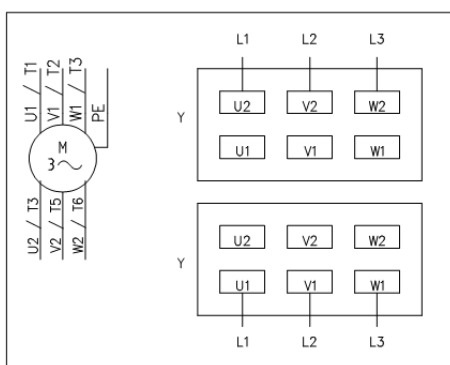
delta connection of three-phase motors 400V/690V at rated voltage 400V

Installation and initial commissioning



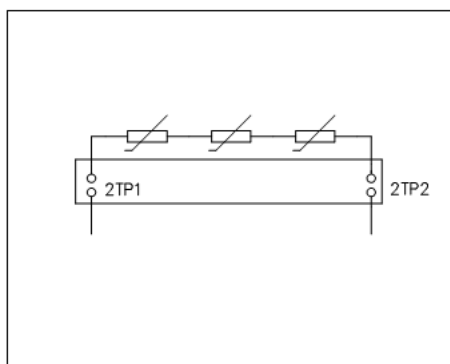
3. ▶ YY/Y

Connection for three-phase motors with one winding for 2/4 poles, 4/8 poles, 6/12 poles.

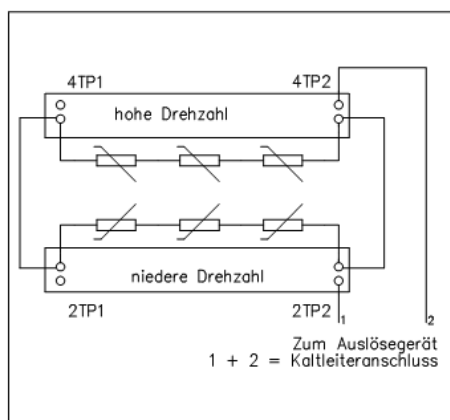


4. ▶ Y/Y

Connection for three-phase motors with separate windings for 4/6 poles, 6/8 poles, 8/12 poles.

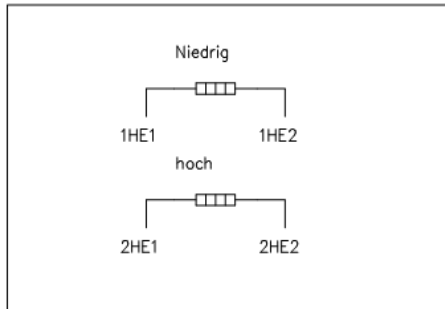


5. ▶ Connection of PTC resistor. Maximum voltage is 2,5V.



6. ▶ Connection of PTC resistor on 2-pole changing motors. Maximum voltage is 2,5V.

Installation and initial commissioning



7. ➔ Connection of stationary heating installation. Pay attention to the maximum voltage of the stationary heating.

6.3 Tests before initialisation

Prerequisites:

- Assembly of the machine and protective devices has been implemented and concluded.
- The machine is secured against unauthorised switch-on.



WARNING!

Danger of death due to unauthorised switch-on!

refer to Chapter 2.8.1 “Securing against switch-on” on page 15



WARNING!

Danger of injury due to rotating parts!

refer to chapter .

1. ➔ Check the free movement of the wheel by turning it by hand
2. ➔ Check the connection of the drive unit and all monitoring equipment with the energy supply (electrician).
3. ➔ Ensure that all transport protection has been removed
4. ➔ Ensure that no tools, small parts or dirt from assembly are found in the fan housing
5. ➔ If ATEX: Check correct earthing. Pay particular attention to correct assembly of the potential compensators and earthing strips on the earthing loop.

6.4 Initialisation



Obtain approval from the system operator before initialisation and record the operating data during initialisation.

Installation and initial commissioning

- ➔ Switch on the fan using the controls provided by the operator.



The bearing temperature may initially increase abnormally during initialisation until the correct amount of grease has automatically set. If the bearing temperature rises above 80°C, switch off the fan, allow the bearings to cool and then switch the fan back on.

6.5 Tests after initialisation

Carry out the following steps after one operating hour after initialisation with the fan on:

1. ➔ Inspect the fan if there are any unusual noises and contact the manufacturer if necessary.
2. ➔ Inspect the fan for vibrations and contact the manufacturer if necessary.

6.6 Converter operation

Critical frequencies are to be hidden on the frequency converter.

- Critical frequencies are to be hidden on the frequency converter.
- When using a frequency converter the conformity with EC-directive 2004/108/EC has to be secured
- The frequency converterterter has to be bypassed in case of fire.

7 Operation

7.1 Safety

Incorrect operation



WARNING!

Danger of injury due to incorrect operation!

- All operating steps must be carried out in accordance with the details and information in the manual for the controls provided by the operator.
- Before beginning any work, ensure that
 - all covers and safety equipment are installed and in correct working order.
 - no persons are found within the danger area.
- Never disable or bridge safety equipment during operation.

7.2 Targeted stoppage

Carry out the following steps to stop the fan switched on:

- 1.** ➤ Switch off the fan using the controls provided by the operator.
- 2.** ➤ Wait for the after-run period of the wheel to finish.



WARNING!

Danger of injury due to rotating parts!

refer to chapter .

Operation

7.3 Stoppage in case of an emergency


Stoppage in case of an emergency

Proceed as follows in case of an emergency:



1. ▶ Trigger the emergency shutdown with the emergency shut-down facility
2. ▶ If there is no danger to your own health, rescue other persons from the danger zone
3. ▶ Initiate first aid measures if necessary
4. ▶ Alarm the Fire Brigade and/or ambulance service
5. ▶ Inform the responsible persons on-site
6. ▶ Switch the machine off and secure it against being switched back on.
7. ▶ Clear the access routes for emergency vehicles
8. ▶ Instruct the drivers of emergency vehicles.
9. ▶ Inform the authorities if necessary due to the severity of the emergency.
10. ▶ Deploy specialist personnel to address the fault

After the emergency measures

 **WARNING!**
Danger of death due to unauthorised switch-on!
refer to chapter ↗ *Chapter 2.8.1 "Securing against switch-on" on page 15.*

11. ▶ Check the machine before reinitialisation and ensure that all safety equipment is installed and fully functional.

8 Maintenance and repair

8.1 Safety

Electrical system



DANGER!

Danger of death due to electrical current!

refer to chapter .

Securing against switch-on



WARNING!

Danger of death due to unauthorised switch-on!

refer to ↗ Chapter 2.8.1 “Securing against switch-on”
on page 15.

Poisonous mediums



WARNING!

**Danger of damages to health due to residues of
poisonous mediums in the fan casing!**

- Before working on the interior, make sure that no
poisonous residues of mediums are inside the fan.

Moving components



WARNING!

Danger of injury due to moving components!

Refer to chapter .

Maintenance and repair

Incorrectly implemented maintenance work



WARNING!

Danger of injury due to incorrectly implemented maintenance work!

- Ensure that there is sufficient space for assembly before beginning any work
- Pay attention to tidiness and cleanliness in the place of assembly! Loosely positioned components or those left lying around are potential sources of accidents
- When components have been removed, pay attention to correct assembly, reinstall all fixing elements and comply with the screw torque levels
- Pay attention to the following before initialisation:
 - Ensure that all maintenance work has been implemented and completed in accordance with the details and information in the manual
 - Ensure that no persons are within the danger area
 - Ensure that all covers and safety equipment is installed and in perfect working order

Environmental protection

The following information on environmental protection must be observed during maintenance work:

- Remove any escaping, used or excess grease, from all lubrication points that are supplied with a lubricant, by hand and dispose of it in accordance with the valid local regulations.
- Collect any replaced oils in suitable containers and dispose of it in accordance with the valid local regulations.

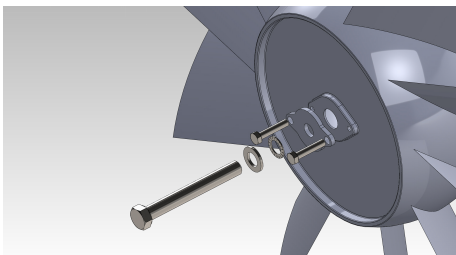
8.2 Maintenance of impeller and housing

a) a) Dismantle the impeller



CAUTION!

- Switch the fan tension-free.
- Wait for the standstill of the impeller.
- Ensure the fan against unauthorised switch-on!



Maintenance and repair

1. ➤ Unscrew the mounting screw of the impeller
2. ➤ Screw the detaching device with three hex head screws onto the impeller hub.
3. ➤ Squeeze-off the impeller with hex head screws from the shaft.
4. ➤ Subtract the impeller.

b) Blade angle

The blade angle is only to be changed by the manufacturer.

c) Mounting the impeller



CAUTION!

- Switch the fan tension-free and ensure the fan against unauthorised switch-on!


1. ➤ Note the direction of running and rotation. (refer to the type label).
2. ➤ Put off the impeller.
3. ➤ Screw together the impeller with the hex head screws, front disk, tooth washer and washer.

Tightening torque of the screws:

The tightening torques based on the calculation base of VDI 2230 Okt-2001 (see appendix).

The impeller must not grind on the housing while rotating the impeller by hand (in the direction of rotation). **Carry out a check and test run before re-commissioning**

8.3 Measures after maintenance

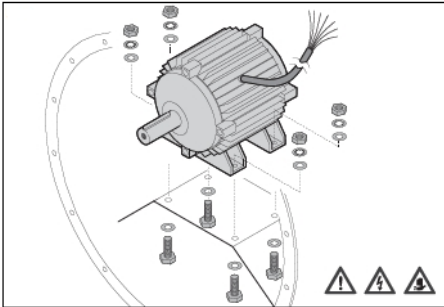
After ending maintenance work caused by faults, refer to  *Chapter 9.2 "Faults table" on page 43* and repairs and carry out the following steps:

1. ➤ Check and ensure all previously loosened screw connections for a tight fit.
2. ➤ Check whether all previously removed protection equipment and covers are reinstalled correctly.
3. ➤ Make sure that all used tools, materials and other equipment have been removed from the working area.
4. ➤ Clean the working area and remove any escaped substances such as fluids, processing materials or similar.

Maintenance and repair

5. ➤ Make sure that all safety equipment on the machine is in perfect working order.

8.4 Replacing the motor



⚠ Attention!!

The electrical connection may only be carried out by an electrician in accordance with the electro-technical regulations (VDE). Refer to chapter und ↪ *Chapter 8.6 "Spare parts" on page 40*

Replacing the motor

- Remove damaged motor carefully, pay attention to safety regulations.

Insert motor

- Insert new motor carefully, pay attention to safety regulations.
- Connection according to motor type plate or wiring diagram.
- Pay attention to electrical supply data written on the motor type plate.

Replace motor bearing

Pay attention to the operating manual of the manufacturer of the motor.

Tightening torque of the screws:

Tightening torque values are based on VDI 2230 Oct. 2001.

- Carry out a check and test run before re-commissioning

8.5 Repair

Maintenance and repair

Factory maintenance intervals



Fig. 6: test label

Maintenance and inspection recommendations

- The function and operational safety of the fan depends on correct controls, maintenance and repairs

- We recommend that the operator notifies the manufacturer's customer service in good time in accordance with the marked test label Fig. 6



CAUTION!

- Only original spare parts may be installed due to safety reasons!

- Carefully dismantle the fan complying with all safety regulations.



CAUTION!

After completing assembly of the impeller, motor and bearings, a vibration test and operational balancing is recommended as required before initialisation (in accordance with "initialisation").

We recommend that you have the fans checked at regular intervals by specialist staff or a specialist company to determine whether they are fully functional and check in what condition they are in. Have this inspection documented.

The type and extent of maintenance and the maintenance intervals always depend on the way in which the fan is used. The following table provides recommendations for these intervals and is based on VDMA 24186-1.

Description	Interval
Test run (20 min)	Every 6 months
Test run (1 h)	Once a year

Maintenance and repair

Description	Interval
For combustion gas fans: Functional test of the bypass for the frequency converter and all electrical components	Every 6 months
Check the direction of rotation	Every 6 months
Check the flexible connections	Once a year
Check the flywheel for imbalance	Once a year
Check the safety devices to make sure they are functional	Once a year
Re-lubricate the bearing	Once a month
Check the V-belt for damage, check the tension and alignment	Once a year
Check the fan for external signs of damage, soiling, corrosion	Every 6 months
Check the motor for external signs of damage, soiling, corrosion	Every 6 months
Check the motor bearing for noises	Once a year
Check that the connection terminals are firmly in place	Once a year
Check the voltage and current strength	Once a year

8.6 Spare parts

Order for spare parts

Order according to the order number or type label details of the manufacturer. Please contact the manufacturer.

9 Faults

In the case of faults that cannot be remedied by the following information, please contact the manufacturer, refer to the service address on page 2.

9.1 Safety

Electrical system



DANGER!

Danger of death due to electrical current!


refer to chapter .

Secure against switch-on



WARNING!

Danger of death due to unauthorised switch-on!

refer to  Chapter 2.8.1 “Securing against switch-on” on page 15.

Poisonous mediums



WARNING!

Danger of damages to health due to residues of poisonous mediums in the fan casing!

- Before working on the interior, make sure that no poisonous residues of mediums are inside the fan.

Moving components



WARNING!

Risk of injury due to moving components!

Refer to chapter .

Faults

Incorrectly implemented work to address faults



WARNING!

Danger of injury due to incorrectly implemented work to address faults!

- Ensure that there is sufficient space for assembly before beginning any work.
- Pay attention to tidiness and cleanliness in the place of assembly! Loosely positioned components or those left lying around are potential sources of accidents.
- When components have been removed, pay attention to correct assembly, reinstall all fixing elements and comply with the screw torque levels.
- Pay attention to the following before initialisation:
 - Ensure, that all maintenance work has been implemented and completed in accordance with the details and information in the manual.
 - Ensure that no persons are within the danger area.
 - Ensure that all covers and safety equipment is installed and in perfect working order.

Conduct in case of faults

The following generally applies:

- 1.** ▶ Initiate the emergency stop in case of faults that represent a direct danger to persons or valuables. Refer to chapter 7.3 "Stoppage in case of an emergency" .
- 2.** ▶ Determine the cause of the fault.
- 3.** ▶ If addressing faults requires work within the danger area, switch the machine off and secure it against being switched back on. Inform the responsible person on-site immediately about the fault.
- 4.** ▶ Depending on the type of fault, arrange for it to be addressed by authorised personnel or address it yourself.

Faults displays



The display of faults takes place through the control system to be provided by the operator.

Further information on the fault displays can be taken from the documentation belonging to the control system.

9.2 Faults table

Fault	Possible cause	Remedy
Fan/motor is not running	No voltage	- Check the supply of electricity - Reproduce the supply of electricity
Motor protection has switched off	Fuse is defective	- Check the fuse - Insert a new fuse - Check the motor protection
	Impeller won't move	- Contact the manufacturer
	Bearing damages	- Contact the manufacturer
Grinding noises	Impeller is grinding	- Switch off the fan! - Contact the manufacturer
heavy vibrations	Imbalance	- Switch off the fan! - Contact the manufacturer
	Resonance vibrations in frequency converter operat.	- Phase out the resonance frequency on the frequency converter
Bearing noises	Bearing damage	- Keep the fan under control! - Contact the manufacturer
Pressure/volume current reducing	System parts are not functional e.g. filter, flap	- Perform functional test on system parts - Contact the manufacturer

Faults

10 Disassembly and disposal

After the end of service, the machine has to be dismantled and disposed of in an environmentally-friendly manner.

10.1 Safety

Electrical system



DANGER!

Danger of death due to electrical current!

refer to chapter .

Incorrect dismantling



WARNING!

Danger of injury due to incorrect dismantling!

- Ensure that there is sufficient space for assembly before beginning any work and handle open, sharp edged components with care.
- Pay attention to tidiness and cleanliness at the place of assembly! Loosely positioned components or those left lying around are potential sources of accidents.
- Mount the components professionally. Pay attention to the heavy weight of the actual component. Use lifting equipment if necessary.
- Secure components so that they cannot fall down or fall over.
- Contact the manufacturer in case of any uncertainty.

10.2 Dismantling and disposal

Prerequisites:

- Switch the machine off and secure it against being switched back on.
- Physically disconnect the full energy supply from the machine and discharge the stored residual energy. Remove any materials and aids as well as any residual processing materials and dispose of them in an environmentally-friendly manner.

To finish, professionally clean modules and components and dismantle under compliance with the valid local work safety and environmental protection regulations.

Disassembly and disposal

11 Appendix

Tightening torque values for screws

When tightening screws, adhere to the following tightening torque values based on VDI 2230 Oct. 2001.

	Hex. screw	Hex. screw	Hex. screw	Hex. lock nut
Standard screw	DIN EN ISO 4014 / 4017	DIN EN ISO 4014 / 4017	DIN EN ISO 4014 / 4017	
Standard nut	EN ISO 4032	EN ISO 4032	EN ISO 4032	EN ISO 4032
Strength category	8.8	10.9	A70	8.8
M5 [Nm]	8	-	5.1	-
M6 [Nm]	10	-	9	-
M8 [Nm]	25	36	22	25
M10 [Nm]	49	72	44	49
M12 [Nm]	85	125	74	85
M16 [Nm]	210	310	183	210
M20 [Nm]	425	610	370	425
M24 [Nm]	730	1050	608	730

Appendix