



Medium pressure axial fan, direct driven in car park execution. Suitable for ventilation up to 40°C constant temperature.

Consisting of:
Consisting of two fans fitted in line with guide vanes
Casing of sheet-steel with rolled flanges on both sides and with welded motor casing incl. downstream guide vanes. Connected by casing of sheet-steel. Optimal surface protection by powder coating RAL 7015.

Impellers with corrosion-resistant hub and easy-to-assemble shaft / hub connection. Infinitely adjustable when at rest, aerofoil section blades made of tensile aluminum cast alloy. Dynamically balanced according to DIN ISO 1940-1, balance quality G 6.3 < 4.0 mm/s for flexible subassembly .

Three-phase alternating current motors / IEC - standard motor up to size 132 type B14, bigger sizes in type B5, protection type IP 55 / insulation class F. Motor power selected for cold start-up at 20°C. PVC control line, radially designed. Electrical wiring at clamping boxes at the outside (optional accessory).

Accuracy class 2 acc. to DIN 24 166
Tolerances acc. to DIN 2768
Performance tests acc. to ISO 5801

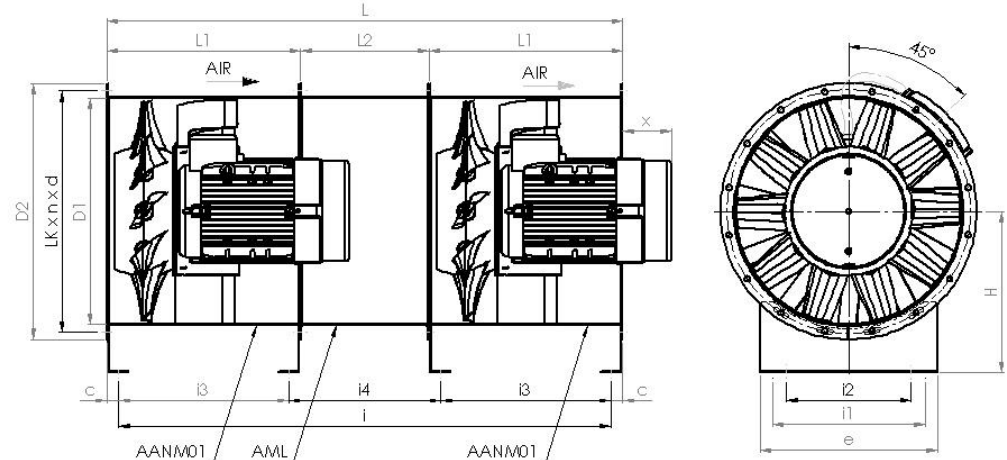
Series AAGM01

Medium pressure axial fan, direct driven in car park execution

Fan size range:
DN 315 - DN 1120

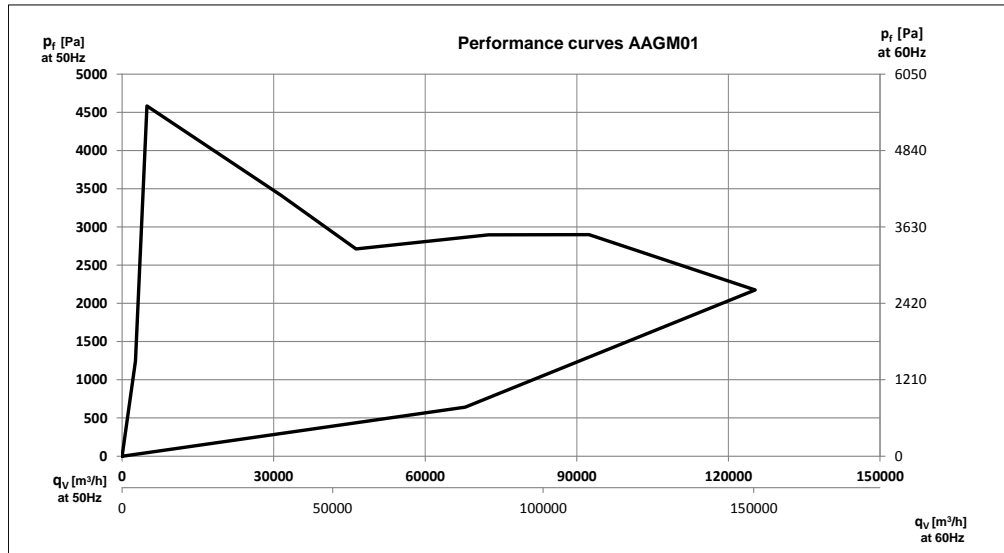
Application:
For ventilation up to max. 40°C constant temperature

Technical data: (50Hz)
 $q_v = 1.000 - 130.000 \text{ m}^3/\text{h}$
 $p_r = 100 - 4.500 \text{ Pa}$
 $P_e = 0,55 - 45 \text{ kW}$ (each motor)



Installation on rubber-anti-vibration mounts

DN	ø315	ø355	ø400	ø450	ø500	ø560	ø630	ø710	ø800	ø900	ø1000	ø1120
D1	317	357	402	452	502	562	632	713	804	905	1005	1128
D2	380	415	465	515	565	640	710	810	900	1000	1100	1216
LK x n x d	356 x 8 x ø9,5	395 x 12 x ø9,5	438 x 12 x ø9,5	487 x 12 x ø9,5	541 x 12 x ø9,5	605 x 16 x ø11,5	674 x 16 x ø11,5	751 x 16 x ø11,5	837 x 24 x ø11,5	934 x 24 x ø11,5	1043 x 24 x ø11,5	1175 x 20 x ø11,5
L	766	808	808	1008	1008	1280	1480	1480	1560	1800	1800	2160
L1	240	303	303	378	378	480	555	555	585	675	675	810
L2	160	202	202	252	252	320	370	370	390	450	450	540
H	230	261	284	309	334	400	435	495	540	590	642	706
e	293	317	351	395	438	440	526	688	760	840	930	885
i	586	754	754	953	953	1225	1424	1409	1487	1727	1727	2034
i1	250	270	300	324	360	380	462	546	610	660	730	760
i2	370	426	400	500	500	500
i3	186	249	249	323	323	425	499	484	512	602	602	702
i4	214	256	256	307	307	375	426	441	463	523	523	630
c	27	27	27	27,5	27,5	27,5	28	35,5	36,5	36,5	36,5	45
Motor size	71 - 80	71 - 90	71 - 100	71 - 112	80 - 132	90 - 132	90 - 160	100 - 200	100 - 200	132 - 225	132 - 225	132 - 225
weight in kg*	47-60	57-97	70-101	81-139	95-229	122-250	155-254	246-479	353-632	443-865	672-1115	844-1208



Dimensions and design subject to alteration
 * fan incl. Motor weight (depending on motor size)
 all dimensions in mm



Series AANM01

Medium pressure axial fan,
direct driven in car park execution

Fan size range:
DN 1250 - DN 1600

Application:
For ventilation up to max. 40°C
constant temperature

Technical data: (50Hz)
q_v = up to 170.000 m³/h
p_r = up to 5000 Pa
P_e = 15 – 90 kW (each motor)

Medium pressure axial fan, direct driven in car park execution. Suitable for ventilation up to 40°C constant temperature.

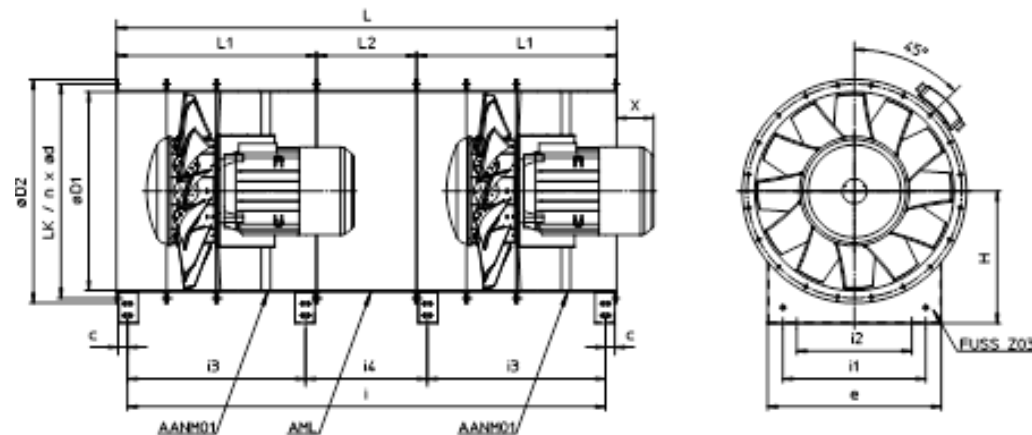
Consisting of:

Casing of sheet-steel with rolled flanges on both sides and with welded motor casing incl. downstream guide vanes. Optimal surface protection by powder coating RAL 7015.

Impeller with corrosion-resistant hub and easy-to-assemble shaft / hub connection with taper lock bush. Infinitely adjustable when at rest, aerofoil section blades made of high-strength hollow profiled blades of sheet steel. With rotary hub covering. Dynamically balanced according to DIN ISO 1940-1, balance quality G 6.3 < 4.0 mm/s for flexible subassembly .

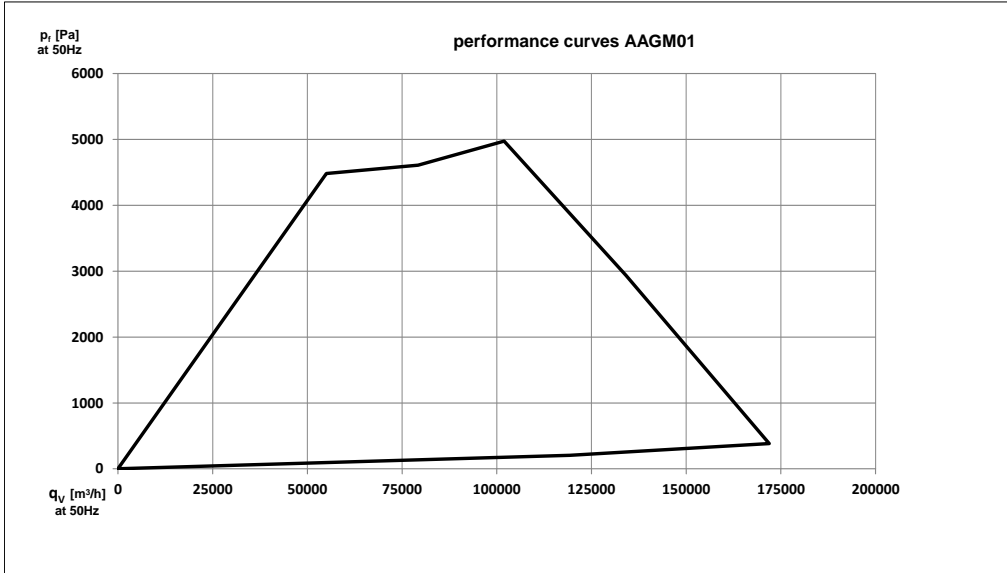
Three-phase alternating current motor / IEC - standard motor in B5 mounting, protection type IP 55 / insulation class F or H. Motor power selected for cold start-up at 20°C. PVC control line, radially designed. Electrical wiring at clamping box at the outside.

Accuracy class 2 acc. to DIN 24 166
Tolerances acc. to DIN 2768
Performance tests acc. to ISO 5801



Montage auf Gummischwingungs-dämpfern

Fan size	ø1250	ø1400	ø1600
D1	1258	1410	1610
D2	1360	1520	1732
Lk x n x d	1311 x 20 x ø14	1469 x 24 x ø14	165 x 24 x ø14
L	2690	3330	4000
L1	1080	1330	1600
L2	540	670	800
H	733	900	1000
e	986	1008	1100
i	2690	3320	3988
i1	786	768	818
i2	500	-----	-----
i3	980	1230	1478
i4	640	770	992
c	45	45	55
Motor size	200-280	225-280	225-280
weight in kg	800 - 1250	900 - 1250	950 - 1250



Dimensions and design subject to alteration
* fan incl. Motor weight (depending on motor size)
all dimensions in mm

DLK Ventilatoren GmbH
D-74214 Schöntal-Berlichingen
Telefon: +49/(0) 7943 / 9102-0
Telefax: +49/(0) 79 43 / 9102-10
e-mail: info@pollrichdlk.com
Internet: http://www.pollrichdlk.com