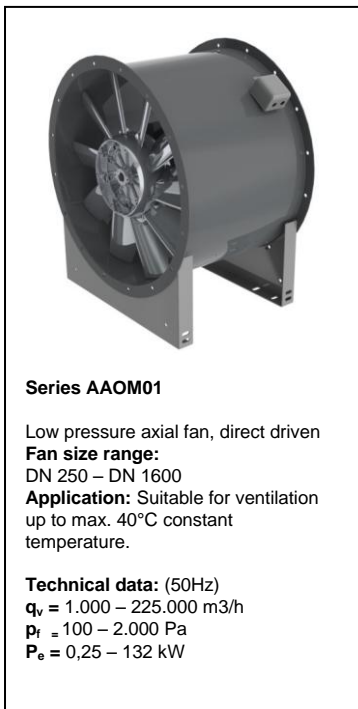


AAOM Ausführung B



Low pressure - axial fan with direct drive.
Series AAOM01, DN 250 – DN 1600.
Suitable for ventilation up to max. 40°C constant temperature.

Consisting of:
Casing of sheet-steel with rolled flanges on both sides and with welded or riveted motor support. Optimal surface protection by powder coating RAL 7015

Impeller with corrosion-resistant hub and easy-to-assemble shaft / hub connection. Infinitely adjustable when at rest, aerofoil section blades made of tensile aluminum cast alloy. Dynamically balanced according to DIN ISO 1940-1, balance quality G 6.3 < 4.0 mm/s for flexible subassembly

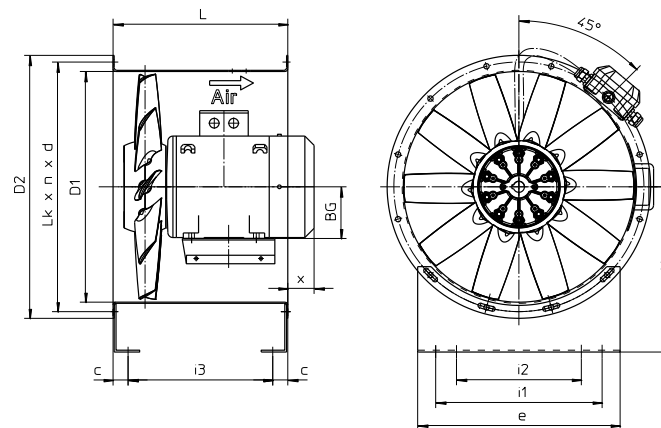
Three-phase alternating current motor / IEC - standard motor in B3 mounting, protection type IP 55 / insulation class F.
Motor power selected for cold start-up at 20°C.
PVC control line, radially designed.
Electrical wiring at clamping box at the outside (optional accessory).

Accuracy class 2 acc. to DIN 24 166
Tolerances acc. to DIN 2768
Performance tests acc. to ISO 5801.

Series AAOM01

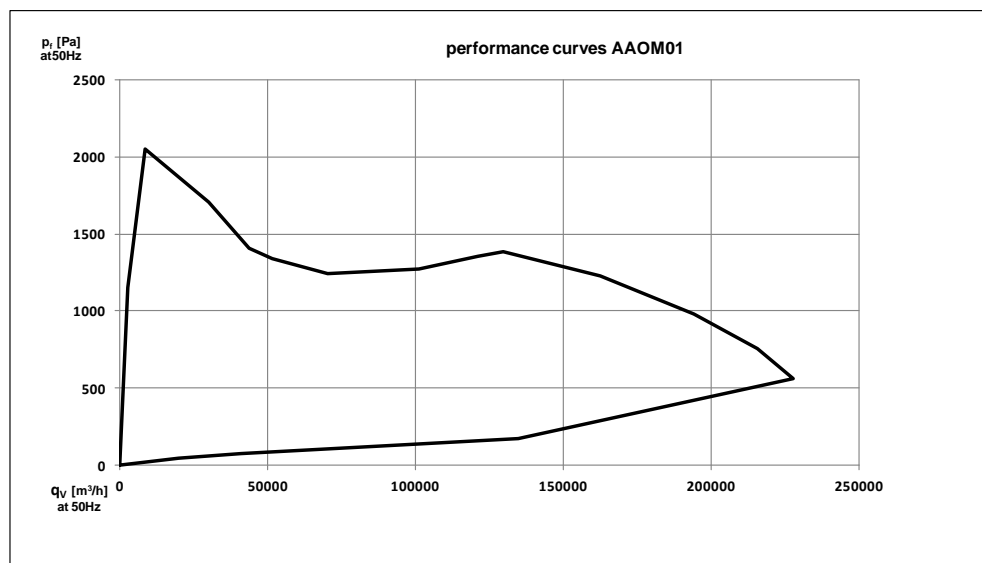
Low pressure axial fan, direct driven
Fan size range:
DN 250 – DN 1600
Application: Suitable for ventilation up to max. 40°C constant temperature.

Technical data: (50Hz)
q_v = 1.000 – 225.000 m³/h
p_r = 100 – 2.000 Pa
P_e = 0,25 – 132 kW



Mounting on rubber anti vibration mounts

	250	280	315	355	400	450	500	560	630
D1	252	283	317	357	402	452	502	562	632
D2	308	354	381	415	471	519	565	636	719
Lk x n x d	286 x 8 x ø9,5	332 x 8 x ø11,5	356 x 12 x ø11,5	395 x 12 x ø11,5	438 x 12 x ø11,5	486 x 12 x ø11,5	541 x 12 x ø11,5	605 x 16 x ø14	674 x 16 x ø14
L	180	240	240	303	303	378	378	480	555
H	180	205	230	261	284	309	334	400	435
e	180	205	293	317	351	395	438	440	526
i1	120	165	250	270	300	324	360	380	462
i2	-----	-----	-----	-----	-----	-----	-----	-----	370
i3	136	191	186	249	249	323	323	425	499
c	22	24,5	27	27	27	27,5	27,5	27,5	28
Motor size	63 – 80	63 – 80	63 – 80	71 – 90	71 – 100	71 – 112	80 – 132	80 – 160	80 – 160
	710	800	900	1000	1120	1250	1400	1600	
D1	713	804	905	1005	1128	1258	1410	1610	
D2	799	897	997	1097	1216	1360	1520	1732	
Lk x n x d	755 x 16 x ø14	841 x 16 x ø14	945 x 16 x ø14	1045 x 16 x ø14	1175 x 20 x ø14	1311 x 20 x ø14	1469 x 24 x ø14	1665 x 24 x ø14	
L	555	585	675	675	810	810	1000	1200	
H	495	540	590	642	706	733	900	1000	
e	688	760	840	930	885	986	1008	1100	
i1	546	610	660	730	760	786	768	818	
i2	426	400	500	500	500	500	-----	-----	
i3	484	512	602	602	720	720	910	1090	
c	35,5	36,5	36,5	36,5	45	45	45	55	
Motor size	80 – 180	90 – 200	100 – 225	100 – 250	112 – 280	132 – 280	160 – 280	160 – 315	



Dimensions and design subject to alteration

* Ventilator- inkl. Motorgewicht (abhängig von der BG)
Alle Maßangaben in mm